



Project:

Item Number:

Quantity:

SO218B HIGH CAPACITY FROZEN BEVERAGE DISPENSER

SO218B High Capacity Frozen Beverage Dispenser



ITEMS

- SO218-18B** Water cooled, single phase
- SO218-38B** Air cooled, single phase

ACCESSORIES & OPTIONS

- 2204650** SO218B Autofill Ready Kit - Includes hopper cover, tubing, mix probes and solenoid. Requires autofill system.
- 4177349** Fill-O-Matic II Autofill System - Electric Pumps up to 60 gallons per hour
- 4177370** Fill-O-Matic III Autofill System - Gas Pumps up to 45 gallons per hour

FEATURES

- Bottle racks with plastic bottles and pumps are included.
- Simplified design for quick assembly after cleaning.
- Automatic defrost cycle prevents large ice crystal formation to maintain consistent product.
- Fast dispense for quick fill of pitchers or controlled dispense for drinks by the glass.
- Efficient freezing cylinder and auger design delivers a consistent uniform product with small ice crystals and a quick recovery time.
- Single switch for simple operation and cleaning.



DESCRIPTION

High-capacity, gravity-fed floor model machines are equipped with fully-automatic controls to provide a uniform product. They operate with almost any type of frozen beverage mix.

The SO218B includes a bottle rack kit with seven flavor dispensers.

	<p>Every machine includes Stoelting's White Glove Service. One call does it all – customer service, technical service, parts or warranty information, installation, startup, sales, on-site service dispatch and much more. Available 24 hours a day, seven days a week year-round.</p>
--	---

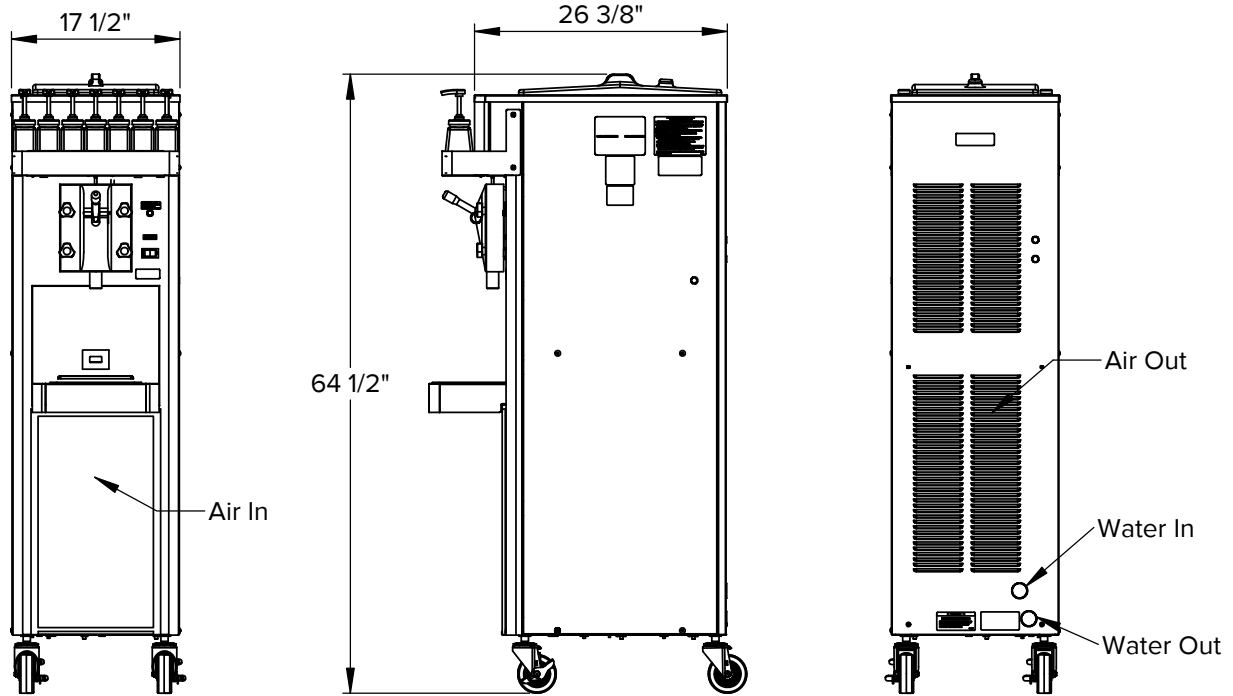
Continuous research leads to ongoing product improvements; therefore, these specifications are subject to change without notice and should not be used as installation specifications.

Approvals	Date

Stoelting Foodservice Equipment

SO218B HIGH CAPACITY FROZEN BEVERAGE DISPENSER

DIMENSIONS



GENERAL SPECIFICATIONS

Model	Freezing Cylinder				Hopper Capacity gallon (L)	Drive Motor (hp)	Weight lb (kg)	Crated Weight lb (kg)
	Capacity gallon (L)	Compressor						
		Btu/hr	Refrigerant	Charge (oz)				
SO218B	2 (7.57)	14,000	R-448A	A/C: 36 W/C: 30	7 (26.5)	1/2	315 (142.9)	420 (190.5)

- Indoor use only.
- Maximum ambient temperature: 100°F (37.8°C).
- Requires one dedicated electrical circuit per barrel.
- Air cooled units require: 3" (7.6 cm) air space at the front and back.
- Water cooled units require: 3/8" N.P.T. water and drain fittings. Maximum water pressure of 130 psi. Minimum water flow rate of 3 GPM per barrel. Ideal EWT of 50°-70°F.
- Details on CAD Revit Symbols Libraries are available on stoelting.klclcad.com

ITEM NUMBER SPECIFICATIONS

Model Number	Cooling	Phase	Volts	Hz	Running Amps	Cord with Plug (Included)
SO218-18B	Water	1	208-240	60	12.9	NEMA 6-20P
SO218-38B	Air	1	208-240	60	13.9	NEMA 6-20P



Service Information
 800-319-9549 (U.S. Toll Free)
 920-894-2293 (Outside the U.S.)
www.stoeltingfoodservice.com
www.vollrath.com