



Project:

Item Number:

Quantity:

## FROZEN UNCARBONATED BEVERAGE DISPENSERS



### DESCRIPTION

Stoelting's Frozen Uncarbonated Beverage Dispensers mix and serve a variety of frozen beverages including margaritas, granitas, slushes, and coffee drinks. They are the ideal choice for bars and restaurants looking for flexibility, capacity, and simple operation in a compact footprint.

### ITEMS


208-230V Single-Phase	
Air-Cooled	
A118X-302	D118X-302
A118X-302L	D118X-302L
Water-Cooled	
D118X-102	D118X-102L

### ACCESSORIES & OPTIONS

- Lighted Door (L suffix)** LED illuminated clear window showcases drinks.

### FEATURES

- Push/Pull self-closing handle for easy, single hand operation.
- Extremely quiet, lowest decibel level in industry.
- Base tray accommodates full-size, 32 oz. pitcher.
- Large capacity, high volume drink production.
- Can be configured to serve a variety of drinks.
- Compact design requires zero clearance at the back, sits flush to the wall to allow for optimal countertop usage.
- Customizable illuminated billboard space.
- Available in air-cooled or water-cooled configurations.
- Mix level indicator (illuminates when low).
- Single switch for simple operation and cleaning.
- Integrated hopper cover prevents accidental spills in the hopper.
- Torque cutoff prevents freeze-up.
- 6 ft. (182.9 cm) cord (No plug).

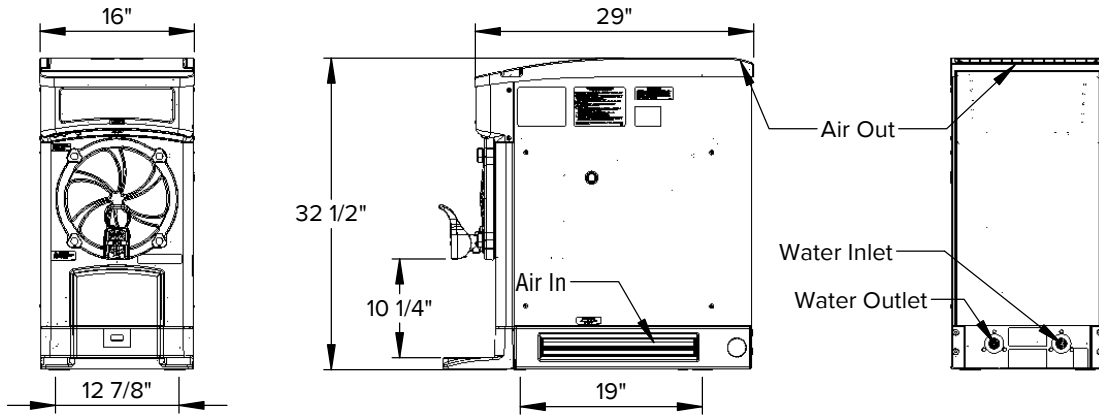
 Every machine includes Stoelting's White Glove Service. One call does it all – customer service, technical service, parts or warranty information, installation, startup, sales, on-site service dispatch and much more. Available 24 hours a day, seven days a week year-round.

*Continuous research leads to ongoing product improvements; therefore, these specifications are subject to change without notice and should not be used as installation specifications.*

Approvals	Date

## FROZEN UNCARBONATED BEVERAGE DISPENSERS

### DIMENSIONS



### GENERAL SPECIFICATIONS

Item	Freezing Cylinder				Hopper Capacity gallon (L)	Drive Motor (hp)	Weight lb (kg)	Crated Weight lb (kg)
	Capacity gallon (L)	Compressor						
		Btu/hr	Refrigerant	Charge (oz)				
A118X	2 (7.57)	4,500	R-448A	22 oz	5 (18.9)	1/7	210 (95.3)	232 (105.2)
D118X	2 (7.57)	8,000	R-448A	18 oz	5 (18.9)	1/7	210 (95.3)	240 (108.9)

- Indoor use only.
- Maximum ambient temperature: 100°F (37.8°C).
- Requires a dedicated electrical circuit.
- Power cord provided (No plug).
- Air cooled units require: 3" (7.6 cm) air space on both sides.
- Water cooled units require: 1/2" N.P.T. water and drain fittings.
- Details on CAD Revit Symbols Libraries are available on [www.stoelting.kclcad.com](http://www.stoelting.kclcad.com) website.

### ITEM NUMBER SPECIFICATIONS

Model Number	Cooling	Phase	Volts	Hz	Running Amps	Cord with Plug (Included)	Lighted Door
A118X-302	Air	1	208-240	50	5	NA	—
A118X-302L	Air	1	208-240	50	5.3	NA	✓
D118X-102	Water	1	208-240	50	6.5	NA	—
D118X-102L	Water	1	208-240	50	6.8	NA	✓
D118X-302	Air	1	208-240	50	8.9	NA	—
D118X-302L	Air	1	208-240	50	9.2	NA	✓



**Service Information**  
 800-319-9549 (U.S. Toll Free)  
 920-894-2293 (Outside the U.S.)  
[www.stoeltingfoodservice.com](http://www.stoeltingfoodservice.com)  
[www.vollrath.com](http://www.vollrath.com)